

MixRite DOSING PUMPS

2.5 m³/h

MixRite 2.5 Series | Low Flow Rate

Available options

Manual ON/OFF Hydraulic ON/OFF Electric ON/OFF

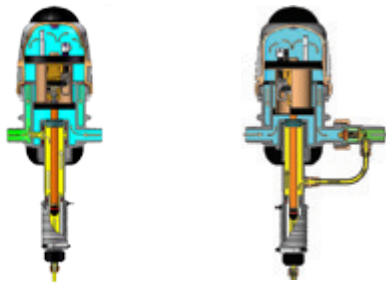


Technical Information

Water pressure | 0.2 - 8 bar (2.9 - 120 psi)
 Flow Rate | 7 - 2500 l/h (1.85 - 660) gal/h
 Working temp | 4-40° C (39.2-104° F)
 Coupling | 3/4"

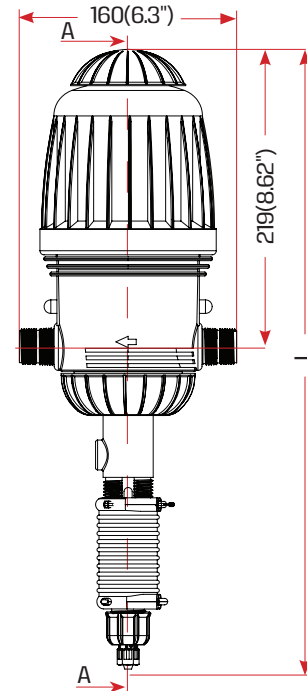


By Pass models



Internal bypass

External bypass



L (Height)	
	Air Release
Max.	528 (20.7")
Min.	497 (19.5")

Application Color Code

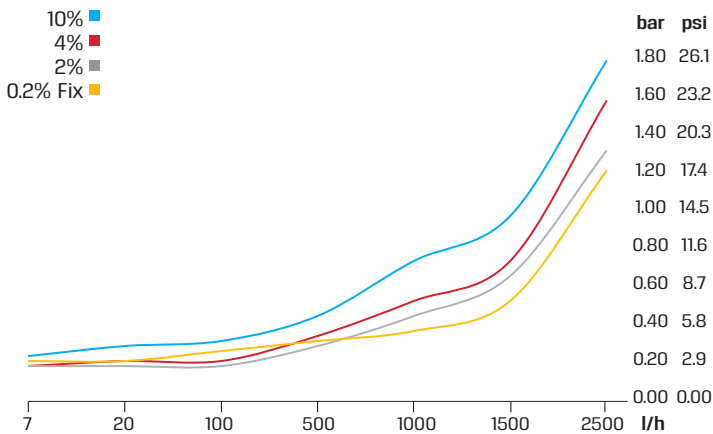
Application	Sleeve Color	TEFEN Code	Seal Material	Spring Material
Irrigation	Grey	STD	NBR	SST
Livestock	Red	PO	NBR, EPDM	SST, Hastelloy
Acids	White	PVDF	AFLAS	Hastelloy
Chlorine	Purple	CL	Viton	Hastelloy
Industry	Black	C	EPDM, AFLAS	SST, Hastelloy
Car Wash	Cyan	CW	AFLAS	SST, Hastelloy
Landscaping	Green	STD	NBR	SST



Application Range

Dosage Rate %	Applications	Flow Rate Range	Pressure Range	Dosage Rate	Connectors Dia. Thread	Min-Max Injection Rate Per Hour	Gross weight std unit
0.2% fix	Landscaping	7-2500 l/h 0.03 to 11gpm	0.2-8 bar 2.9-120 psi	1:500	3/4" BSPT	0.014 - 5 l/h 0.004 - 1.32gph	1.4 KG 3.08 lbs
0.8% fix	Livestock	7-2500 l/h 0.03 to 11gpm	0.2-8 bar 2.9-120 psi	1:128	3/4" BSPT	0.056 - 20 l/h 0.015 - 5.3gph	1.5 KG 3.30 lbs
1% fix	Landscaping/Irrigation	7-2500 l/h 0.03 to 11gpm	0.2-8 bar 2.9-120 psi	1:100	3/4" BSPT	0.07 - 25 l/h 0.018 - 6.6gph	1.5 KG 3.30 lbs
0.1%-0.9%	Irrigation / Chlorine / Acids / Livestock / Car Wash	7-2500 l/h 0.03 to 11gpm	0.2-8 bar 2.9-120 psi	1:1000 - 1:111	3/4" BSPT	0.007 - 22.5 l/h 0.005 - 5.95gph	1.8 KG 3.97 lbs
0.3%-2%	Irrigation / Chlorine / Acids / Livestock / Car Wash	7-2500 l/h 0.03 to 11gpm	0.2-8 bar 2.9-120 psi	1:333 - 1:50	3/4" BSPT	0.021 - 50 l/h 0.006 - 13.22gph	1.8 KG 3.97 lbs
0.4%-4%	Irrigation / Chlorine / Acids / Livestock / Car Wash	7-2500 l/h 0.03 to 11gpm	0.2-8 bar 2.9-120 psi	1:250 - 1:25	3/4" BSPT	0.028 - 100 l/h 0.007 - 26.5gph	1.8 KG 3.97 lbs
3%-10%	Industry / Car Wash	50-2500 l/h 0.22 to 11gpm	0.2-8 bar 2.9-120 psi	1:33.3 - 1:10	3/4" BSPT	1.5 - 250 l/h 0.4 - 66.14gph	3.2 KG 7.05 lbs
0.3%-2% by-pass	Irrigation / Chlorine / Acids / Livestock	20-2500 l/h 0.088 - 11gpm	0.2-8 bar 2.9-120 psi	1:333 - 1:50	3/4" BSPT	0.06 - 50 l/h 0.016 - 13.22gph	1.9 KG 4.19 lbs
0.4%-4% by-pass	Irrigation / Chlorine / Acids / Livestock	20-2500 l/h 0.088 - 11gpm	0.2-8 bar 2.9-120 psi	1:250 - 1:25	3/4" BSPT	0.08 - 100 l/h 0.021 - 26.5gph	1.9 KG 4.19 lbs
0.3%-2% Internal by-pass	Irrigation / Chlorine / Acids / Livestock	20-2500 l/h 0.088 - 11gpm	0.2-8 bar 2.9-120 psi	1:333 - 1:50	3/4" BSPT	0.06 - 50 l/h 0.016 - 13.22gph	1.9 KG 4.19 lbs
0.4%-4% Internal by-pass	Irrigation / Chlorine / Acids / Livestock	20-2500 l/h 0.088 - 11gpm	0.2-8 bar 2.9-120 psi	1:250 - 1:25	3/4" BSPT	0.08 - 100 l/h 0.021 - 26.5gph	1.8 KG 3.97 lbs
3%-10% Internal by-pass	Industry / Car Wash	50-2500 l/h 0.22 to 11gpm	0.2-8 bar 2.9-120 psi	1:33.3 - 1:10	3/4" BSPT	1.5 - 250 l/h 0.4 - 66.14gph	3.2 KG 7.05 lbs

Pressure Loss



Max. injection rate/h

