

# MixRite DOSING PUMPS

## 3.5 m<sup>3</sup>/h

### MixRite 3.5 Series

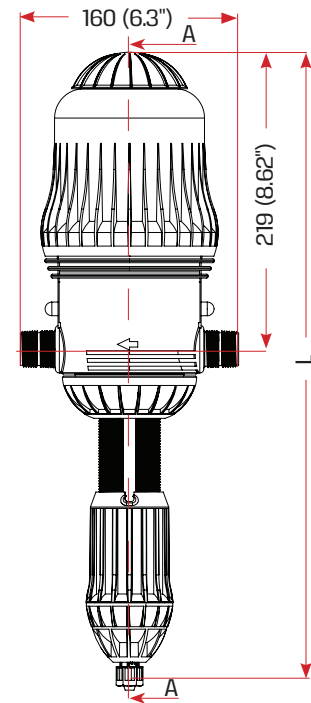
#### Available options

Manual ON/OFF    Hydraulic ON/OFF    Electric ON/OFF



#### Technical Information

Water pressure | 0.2 - 8 bar (2.9 - 120 psi)  
 Flow Rate | 10 - 3500 l/h (2.65 - 930 ) gal/h  
 Working temp | 4-40° C (39.2-104° F)  
 Coupling | 3/4"



		L (Height)	
		On/Off	Air Release
Max.	551 (21.7")	486 (19.1")	
Min.	471 (18.5")	447 (17.6")	

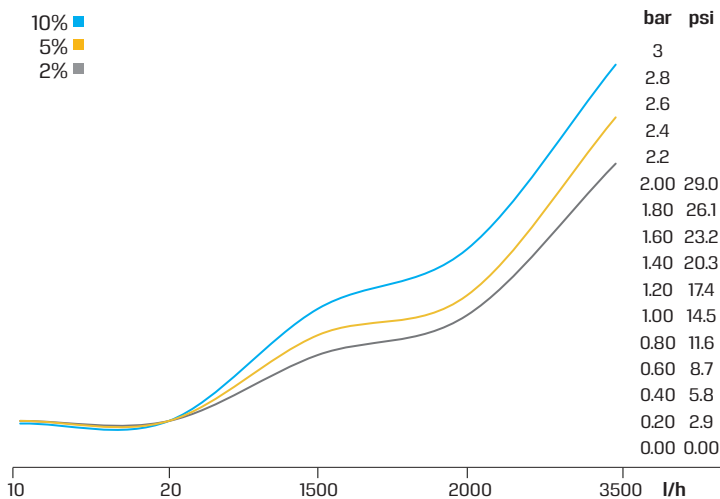
#### Application Color Code

Application	Sleeve Color	TEFEN Code	Seal Material	Spring Material
Irrigation	Grey	STD	NBR	SST
Livestock	Red	PO	NBR, EPDM	SST, Hastelloy
Acids	White	PVDF	AFLAS	Hastelloy
Chlorine	Purple	CL	Viton	Hastelloy
Industry	Black	C	EPDM, AFLAS	SST, Hastelloy
Car Wash	Blue	CW	AFLAS	SST, Hastelloy
Landscaping	Green	STD	NBR	SST

## Application Range

Dosage Rate %	Applications	Flow Rate Range	Pressure Range	Dosage Rate	Connectors Dia. Thread	Min-Max Injection Rate Per Hour	Gross weight std unit
0.03% - 0.2%	Water Treatment / Chlorine / Car Wash	10-3500 l/h 0.04 to 15.5 gpm	0.2-8 bar 2.9-120 psi	1:3333 - 1:500	3/4" BSPT	0.003 -7 l/h 1.85gph	1.9 KG 4.19 lbs
0.1%-0.9%	Irrigation / Livestock / Car Wash	10-3500 l/h 0.04 to 15.5 gpm	0.2-8 bar 2.9-120 psi	1:1000 - 1:111	3/4" BSPT	0.01 -31.5 l/h 0.003 -8.32gph	1.9 KG 4.19 lbs
0.3%-2%	Irrigation / Livestock / Car Wash	10-3500 l/h 0.04 to 15.5 gpm	0.2-8 bar 2.9-120 psi	1:333 - 1:50	3/4" BSPT	0.03 - 70 l/h 0.008 -18.5gph	1.9 KG 4.19 lbs
0.5%-5%	Irrigation / Livestock / Car Wash	10-3500 l/h 0.04 to 15.5 gpm	0.2-8 bar 2.9-120 psi	1:200 - 1:20	3/4" BSPT	0.05 - 175 l/h 0.013 -46.23gph	1.9 KG 4.19 lbs
0.5%-5%	Acids	20-3500 l/h 0.088 to 15.5 gpm	0.2-8 bar 2.9-120 psi	1:200 - 1:20	3/4" BSPT	0.05 - 175 l/h 0.013 -46.23gph	1.9 KG 4.19 lbs
1%-10%	Irrigation / Livestock / Car Wash / Acids	50-3500 l/h 0.22 - 15.5gpm	0.2-8 bar 2.9-120 psi	1:100 - 1:10	3/4" BSPT	0.5 - 350 l/h 0.132 - 95.592.5gph	3.0 KG 6.61 lbs

## Pressure Loss



## Max. injection rate/h

