

MixRite Dosing Pumps

3.5 m³/h

MixRite 3.5

Technical Information

Water pressure | 0.2 – 8 bar (2.9 – 116 psi)
 Flow Rate | 10 – 3500 l/h (0.04 – 15.4 GPM)
 Working temp | 4–40° C (39.2–104° F)
 Coupling | 3/4"

* Legs available upon request

Available options

Manual ON/OFF Hydraulic ON/OFF Electric ON/OFF



By Pass models



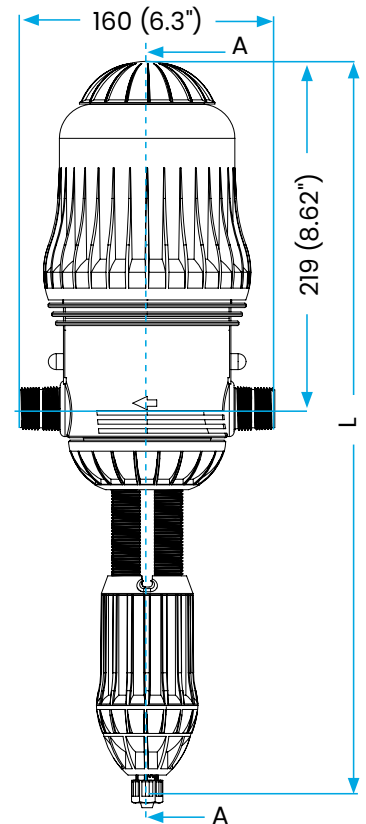
Internal bypass

*Yellow sleeve

Application Color Code

Application	Sleeve Color	TEFEN Code	Seal Material	Spring Material
Irrigation	Grey	STD	NBR	SST
Livestock	Red	PO	NBR, EPDM	SST, Hastelloy
Acids	White	PVDF	AFLAS	Hastelloy
Chlorine	Purple	CL	Viton	Hastelloy
Industry	Black	C	EPDM, AFLAS	SST, Hastelloy
Car Wash	Cyan	CW	AFLAS	SST, Hastelloy
By-Pass	Yellow	I / B	EPDM, AFLAS	SST, Hastelloy

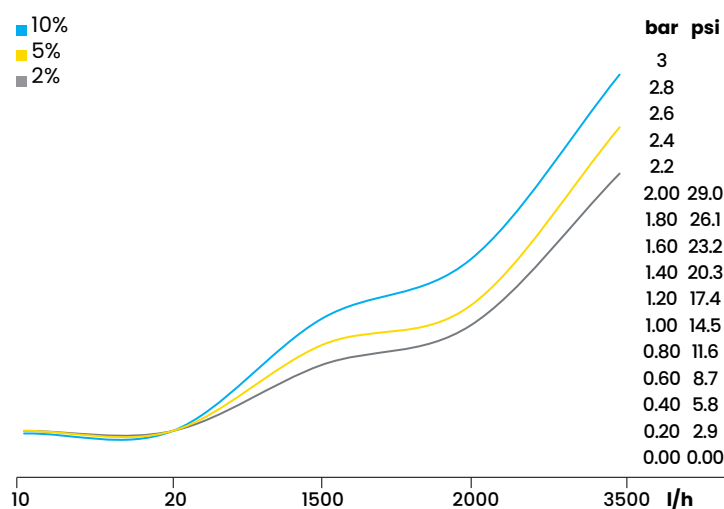
	L (Height)	
	On/Off	Air Release
Max.	551 (21.7")	486 (19.1")
Min.	471 (18.5")	447 (17.6")



Application Range

Dosage Rate %	Flow Rate Range	Pressure Range	Connectors Dia. Thread	Min-Max Injection Rate Per Hour	Suction Tube Dia.	Applications	Gross weight std unit
0.03% - 0.2%	10-3500 l/h	0.2 - 8 bar	3/4" BSPT	0.003 -7 l/h	8 mm	Chlorine / Car Wash	1.9 KG
0.1% - 0.9%	10-3500 l/h	0.2 - 8 bar	3/4" BSPT	0.01 -31.5 l/h	8 mm	Irrigation / Chlorine / Car Wash / Acid	1.9 KG
0.3% - 2%	10-3500 l/h	0.2 - 8 bar	3/4" BSPT	0.03 - 70 l/h	10 mm	Irrigation / Livestock / Industry / Chlorine / Acid	1.9 KG
0.5% - 5%	10-3500 l/h	0.2 - 8 bar	3/4" BSPT	0.05 - 175 l/h	16 mm	Irrigation / Livestock / Industry / Chlorine / Acid	1.9 KG
1% - 10%	50-3500 l/h	0.2 - 8 bar	3/4" BSPT	0.5 - 350 l/h	19 mm	Industry / Chlorine / Car Wash / Acid	3.6 KG
1% - 10% I.B.P	50-3500 l/h	0.2 - 8 bar	3/4" BSPT	0.5 - 350 l/h	19 mm	Irrigation / Livestock / Chlorine / Acid	3.6 KG

Pressure Loss



Max. injection rate/h

